

# HANGING SYSTEM



Scan the QR code to watch the installation instruction film.



A patent application has been filed for the Dock Four hanging system (The Netherlands Patent Office: Modular wall covering system / Patent number N2014564).

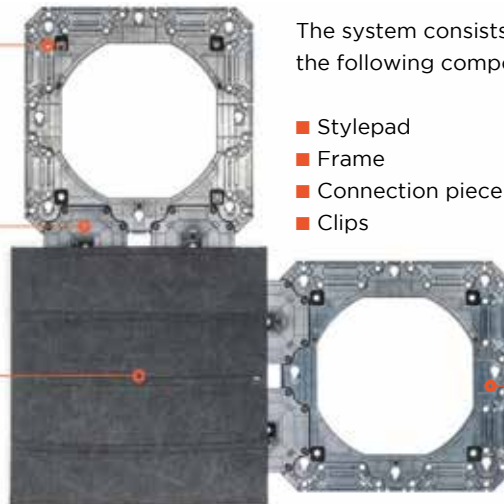
CLIPS



CONNECTION  
PIECE



STYLEPAD



The system consists of the following components:

- Stylepad
- Frame
- Connection piece
- Clips

FRAME



All of the various components are made from black ABS. The material is fire-retardant (HB UL94) and recyclable.



CO-CREATED BY *you.*